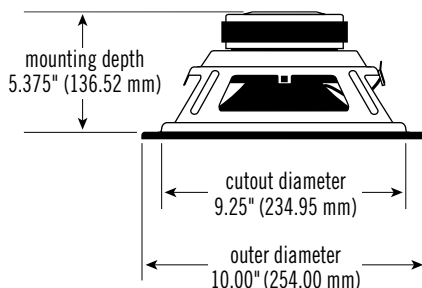


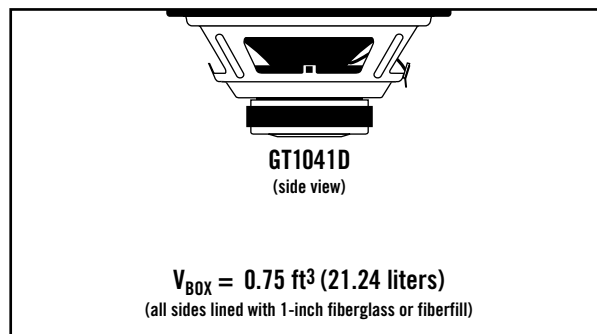
SPECIFICATIONS

DIAMETER:	10" (254.0 mm)
SENSITIVITY (2.83 V @ 1 m):	90 dB
POWER HANDLING:	275 W _{RMS}
FREQUENCY RESPONSE:	20 ~ 500 Hz
NOMINAL IMPEDANCE:	4 OHMS (PER COIL)
VOICE-COIL DIAMETER:	2.0" (50.0 mm)

DIMENSIONS:



SEALED BOX VOLUME (INCLUDES DRIVER DISPLACEMENT)

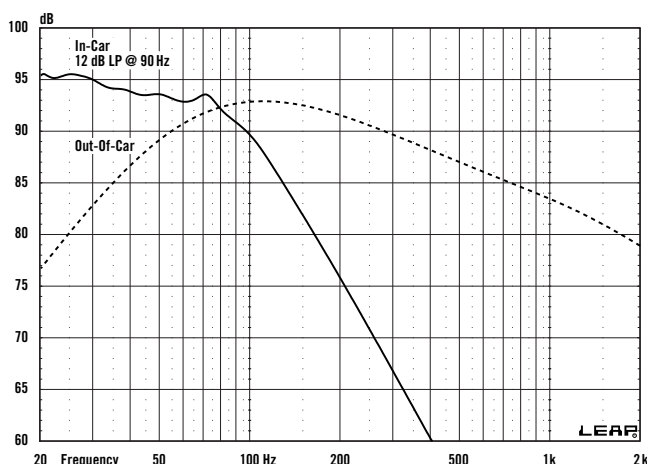


THIELE-SMALL PARAMETERS*

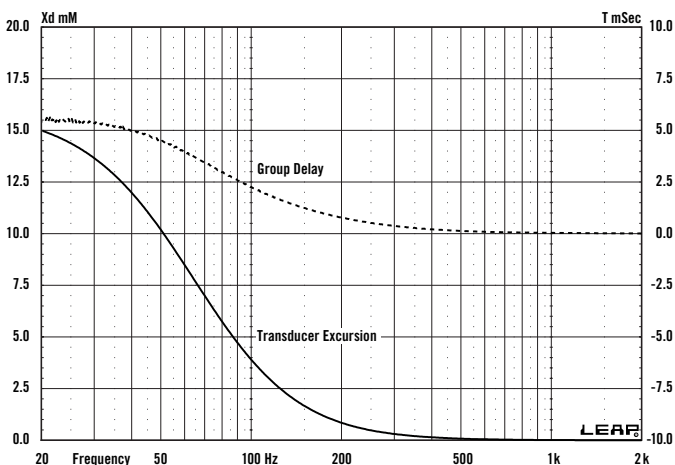
VOICE COIL DC RESISTANCE:	R _{EVC} (OHMS)	1.95
VOICE COIL INDUCTANCE @ 1 kHz:	L _{EVC} (MH)	1.33
DRIVER RADIATING AREA:	S _D (IN ²)	55.02
	S _D (CM ²)	355.00
MOTOR FORCE FACTOR:	BL (TM)	10.06
COMPLIANCE VOLUME:	V _{AS} (FT ³)	1.84
	V _{AS} (LITERS)	52.00
SUSPENSION COMPLIANCE:	C _{MS} (µM/N)	290.57
MOVING MASS, AIR LOAD:	M _{MS} (GRAMS)	125.08
MOVING MASS, DIAPHRAGM:	M _{MD} (GRAMS)	121.23
FREE-AIR RESONANCE:	F _S (Hz)	26.40
MECHANICAL Q:	Q _{MS}	10.80
ELECTRICAL Q:	Q _{ES}	0.40
TOTAL Q:	Q _{TS}	0.39
MAGNETIC-GAP HEIGHT:	H _{AG} (IN)	0.31
	H _{AG} (MM)	7.92
VOICE-COIL HEIGHT:	H _{VC} (IN)	1.25
	H _{VC} (MM)	31.75
MAXIMUM EXCURSION:	X _{MAX} (IN)	0.47
	X _{MAX} (MM)	11.91

*VOICE COILS CONNECTED IN PARALLEL

SEALED FREQUENCY RESPONSE @ 2.83 V



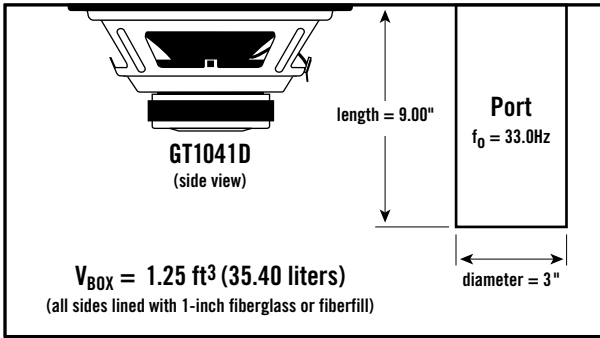
SEALED EXCURSION/GROUP DELAY @ 275 W



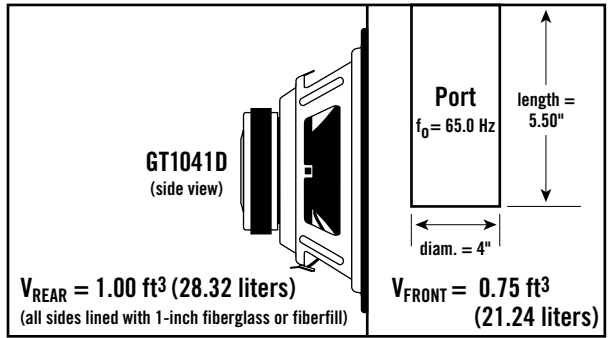


GT1041D 10" Woofer – Technical Data

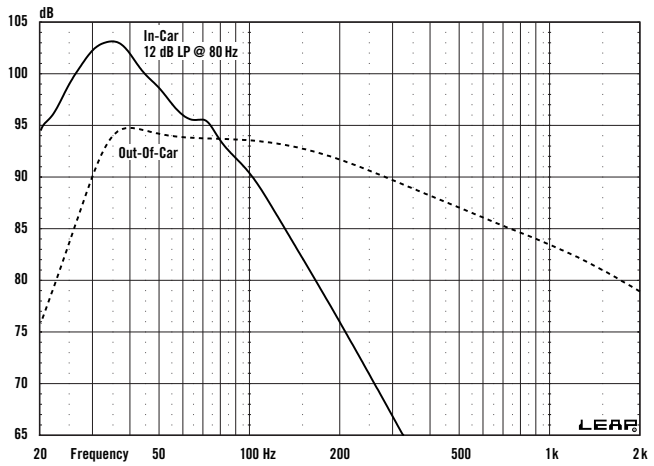
VENTED BOX VOLUME (INCLUDES DRIVER/PORT DISPLACEMENTS)



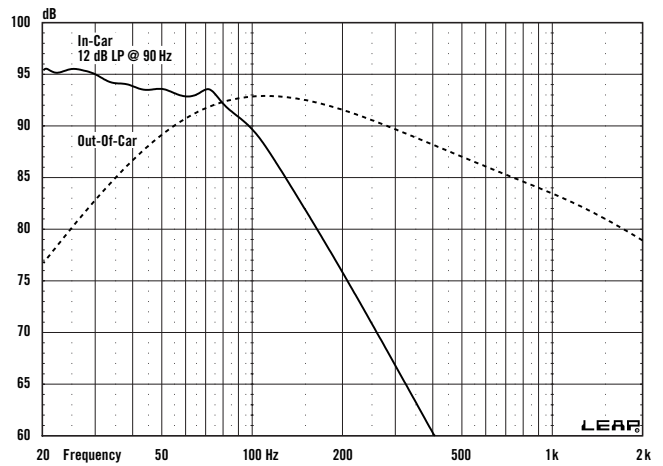
SEALED BANDPASS BOX VOLUME (INCLUDES DRIVER/PORT DISPLACEMENTS)



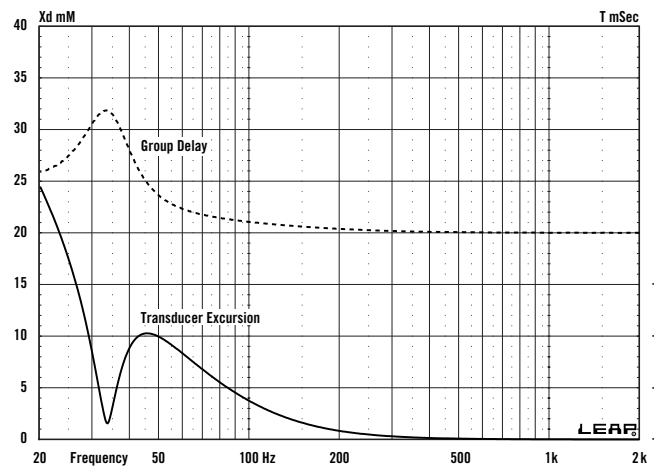
VENTED FREQUENCY RESPONSE @ 2.83 V



SEALED BANDPASS FREQUENCY RESPONSE @ 2.83 V



VENTED EXCURSION/GROUP DELAY @ 275 W



SEALED BANDPASS EXCURSION/GROUP DELAY @ 275 W

